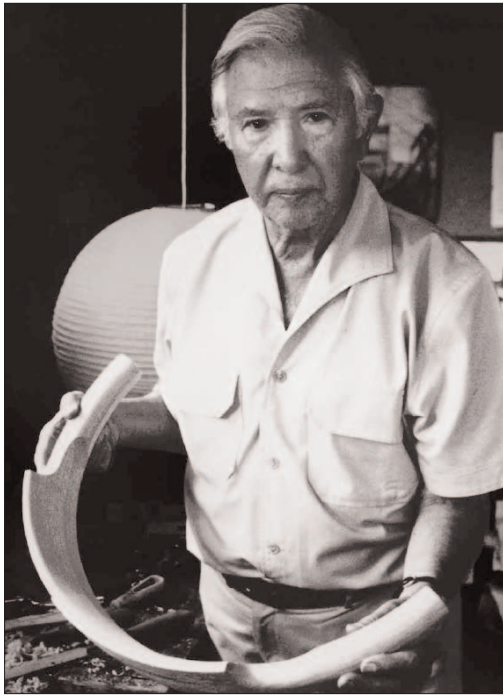




"Final Chair" pp 58/3 Design Hans J. Wegner 1988



We only sell original Hans J. Wegner designs made by PP Møbler in Denmark.



“Final Chair” pp 583 Hans J. Wegner 1987.

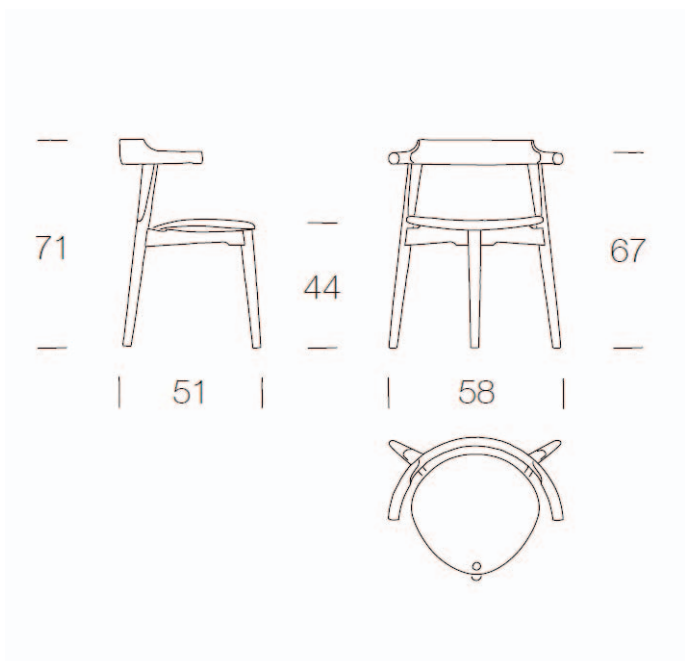
A three legged stacking version of Wegner’s final chair. A simpler form yet sharing the same basic characteristics as its predecessor. Though the chair only has three legs it is remarkably stable and the triangular construction under the seat allows for the strongest possible construction.

“The chair must allow one to be seated in alternate positions and still be comfortable.

The chair must provide the correct support for the elbows and the back.

The chair must have plenty of space below the back rest, in order to leave plenty of room for the behind”.

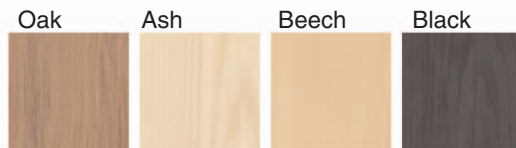
Hans J. Wegner.



Soap Treated



Oil Treated



Lacquered

