



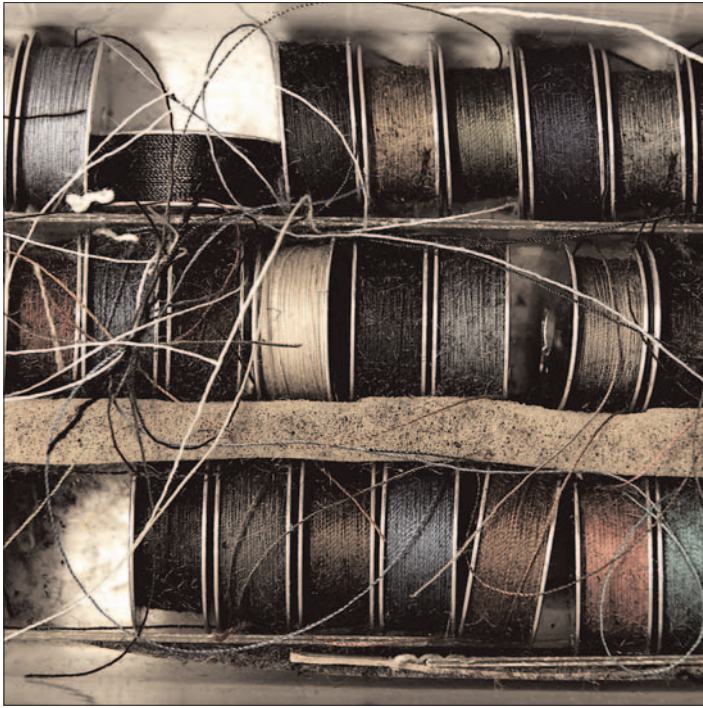
“Plank Sofas” GE290/2 and GE290/3 Design Hans J. Wegner 1953



GETAMA[®]

DANMARK

We only sell original Hans J. Wegner designs made by GETAMA A/S in Denmark.



“Plank Chair” GE 290 Hans J. Wegner 1953.

Wegner was asked by Getama, Denmark’s leading bed and mattress producer at the time to assist them in developing a range of high quality soft upholstery.

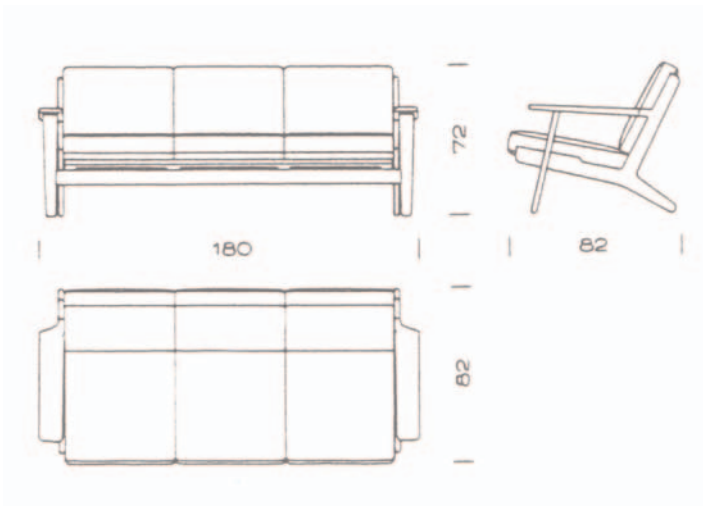
Wegner combined the companies expertise in mattress making with their wood working skills to design a series of chairs and sofas that have remained in continuous production for over 60 years.

The Plank 180 cm Three and the 127 cm Two seat sofas with their practical armrests are the perfect accompaniment for the Plank armchairs.

Produced with soft downtop cushions to give many hours of comfortable sitting over an entire evening. The GE 290 is also available with cushions formed in solid foam for use in commercial environments such as reception or conference areas.

“People often ask me if a chair is comfortable? I always reply - why don't you try it”

Hans J. Wegner.



Soap Treated

Oak Beech



Oil Treated

Oak Beech



Lacquered

Oak Beech Black

