



"The Chair" pp 503 Design Hans J. Wegner 1950



We only sell original Hans J. Wegner designs made by PP Møbler in Denmark.



“The Chair” pp 503 Hans J. Wegner 1949.

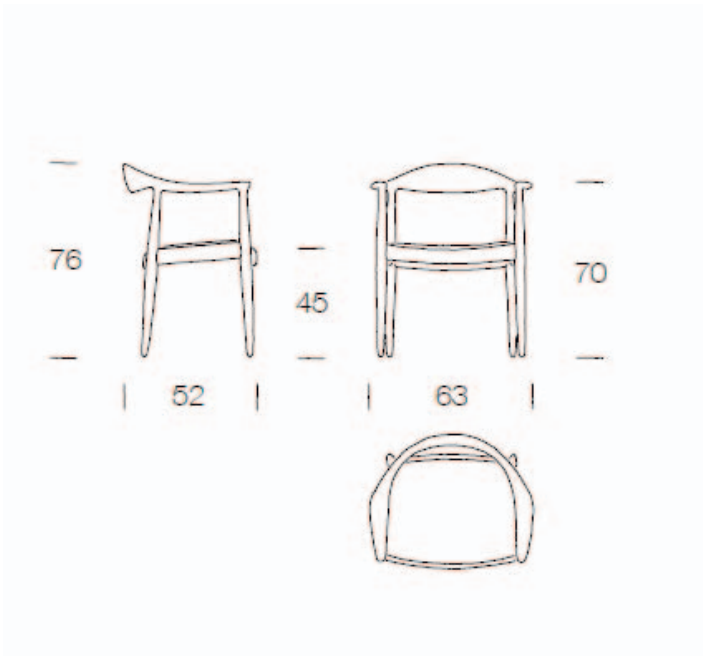
Referred to by Wegner as the Round Chair it was described by the America’s most Influential Interiors Magazine as “the most beautiful chair ever”.

The chair was used in the first televised Presidential debate between J. F. Kennedy and Richard Nixon.

“The Chair” is ithe most iconic of all Wegner designs and the one the designer considered to be his greatest acheivement.

“A chair isn’t finished when someone sits in it”

Hans J. Wegner.



Soap Treated

Oak Ash



Oil Treated

Oak Ash Cherry Walnut



Lacquered

Oak Ash Cherry Walnut

