



“Final Chair” pp 58 Design Hans J. Wegner 1987



We only sell original Hans J. Wegner designs made by PP Møbler in Denmark.

“Final Chair” pp 58 Hans J. Wegner 1987.

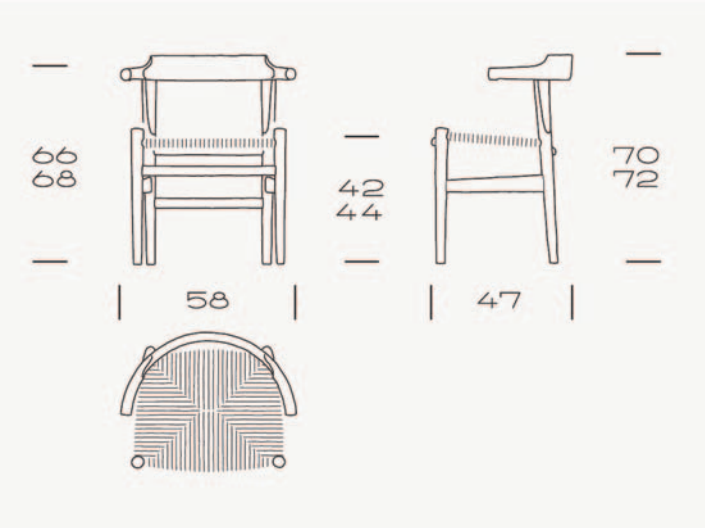
Wegner in the PP Møbler’s workshop explaining to Master of Craftsman Ejnar Pedersen the three main considerations when designing of the final dining chair which concluded his line of round back armchairs.

“The chair must allow one to be seated in alternate positions and still be comfortable.

The chair must provide the correct support for the elbows and the back.

The chair must have plenty of space below the back rest, in order to leave plenty of room for the behind”.

Hans J. Wegner.



Soap Treated



Oil Treated



Lacquered

